

The ZB-2 module is a device intended for protection of the DC power supply output against overload. It is used with power supply units which have no current limiter and overload indicator. The device is designed to work with the following devices manufactured by SATEL:

- CA-64 EPS - zones expander with power supply unit, for INTEGRA and CA-64 control panels;
- CA-64 ADR - addressable zones expander with power supply unit, for INTEGRA and CA-64 control panels;
- CA-64 PP - zones/outputs expander with power supply unit, for INTEGRA and CA-64 control panels;
- CA-64 OPS-R/OC/ROC - outputs expander with power supply unit (3 versions), for INTEGRA and CA-64 control panels.

The expander, including the ZB-2 module connected to the output for other equipment supply, meets requirements of the CLC/TS 50131-3 European Technical Specifications for alarm system equipment.

## 1. Module Installation and Connection

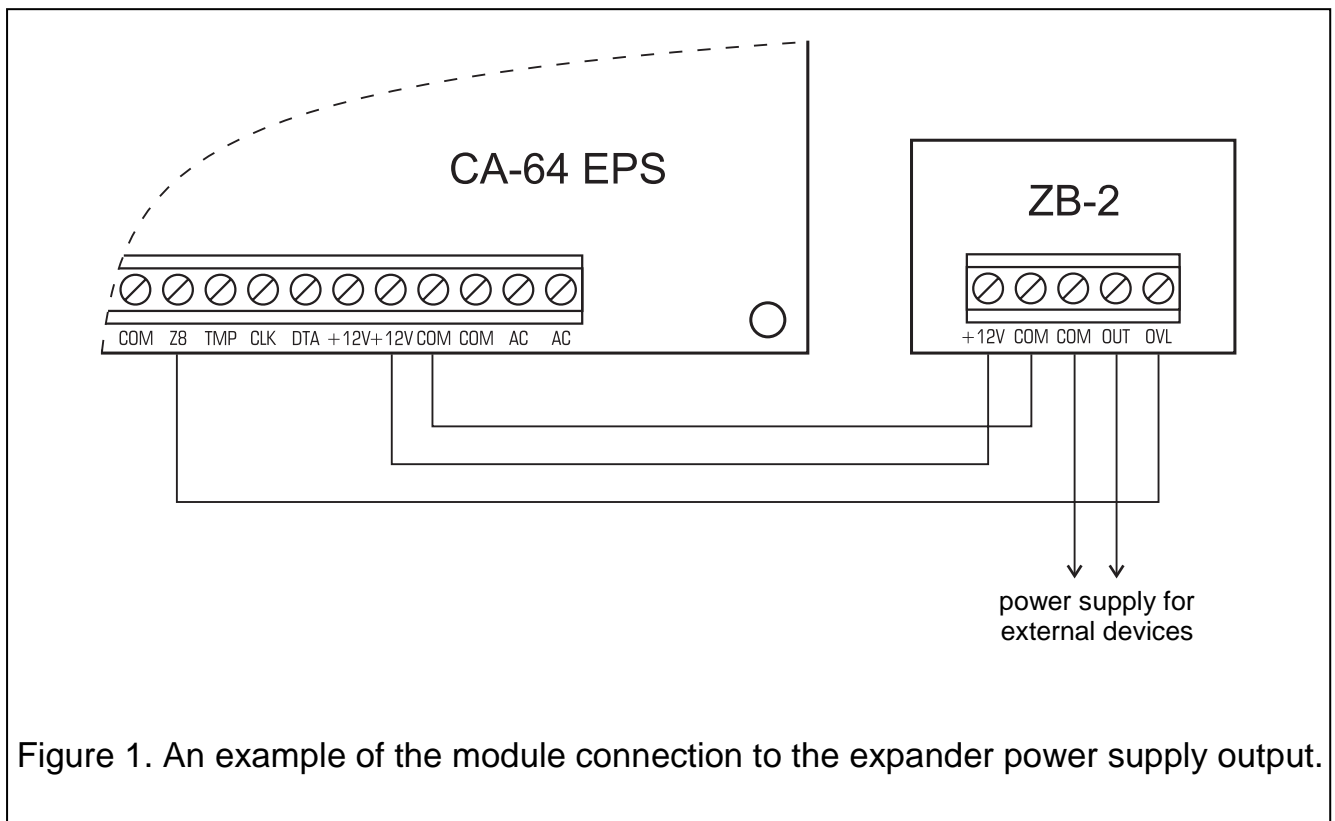


Figure 1. An example of the module connection to the expander power supply output.

## ZB-2 MODULE DESCRIPTION OF TERMINALS:

**+12V** – module power supply input;

**COM** – common ground;

**OUT** – power supply output for external devices (1.7A);

**OVL** – overload alarm for OUT power supply output (NC, 50mA).

## DESCRIPTION OF CONNECTION:


**Note:** *Before you start connecting the module to an existing alarm system, make sure that the whole system is deenergized.*

1. Install the ZB-2 module in the housing together with the expander. It can be secured to the inner side of the housing wall by means of installation foam. Be careful during installation so as not to cause short-circuiting of the soldering points situated on the underside of the board.
2. Connect the expander power supply output (+12V) with the **+12V** module input.
3. Connect the COM expander terminal with the **COM** module terminal.
4. Connect the **OVL** module output with the expander / control panel zone programmed as TECHNICAL – POWER SUPPLY OVERLOAD (zone type 62). During normal operation of the module, this output is shorted to common ground, while it becomes cut off in case the OUT output is overloaded. After the overload disappears, normal state of the output (NC) is restored. The maximum output current-carrying capacity is 50mA.
5. Connect the power supply inputs of selected devices to the **OUT** output. It should be remembered that the maximum current derived from the output may be up to 1.7A. When this value is exceeded, the output will be disconnected. After the cause of excessive current consumption is rectified (the overload is reduced), the normal state of the output (power supply function) is restored. Actual output current efficiency depends on the expander power supply efficiency.

The occurrence of overload in the described system is indicated when viewing the current troubles, and saved in the events log of the INTEGRA alarm control panel.

## 2. Technical Data

Nominal supply voltage ( $\pm 15\%$ ) .....	$V_{in}=12V$ DC
OUT output voltage at maximum overload ( $\pm 15\%$ ) .....	$V_{out}=V_{in}-0.6V$
OUT output cut-off current ( $\pm 10\%$ ) .....	1.7A
Current consumption without OUT output load .....	1.5mA
Current-carrying capacity of OVL output .....	50mA
Dimensions .....	38x26mm

SATEL sp. z o.o. ul. Schuberta 79 80-172 Gdańsk POLAND	tel. 0-58 320 94 00 eng. dept. 0-58 320 94 20 service 0-58 320 94 30 www.satel.pl info@satel.pl	Latest CE declaration of conformity and certificates can be downloaded from website <b>www.satel.pl</b>	
---	--	--	---